



JX1

Medium Level Order Picker 0.5t

High volume order picking in a warehouse environment;
Max Platform height: 4.80m – Picking height 6.3m;
Truck Size 1590x1500x800, turning radius (1385),
suitable for narrow aisles in the warehouse;
Strong and steady;
AGM Battery (maintenance free), Large Lead-Acid battery
as option. Simple Battery exchange.

EP EQUIPMENT CO.,LTD
www.ep-ep.com

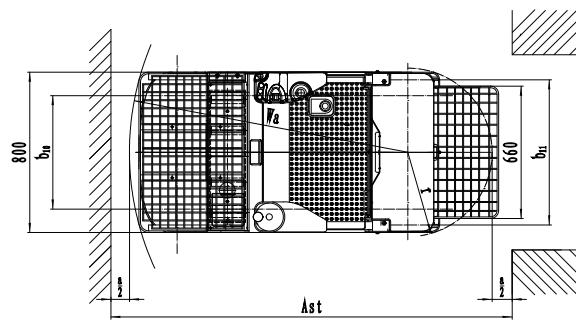
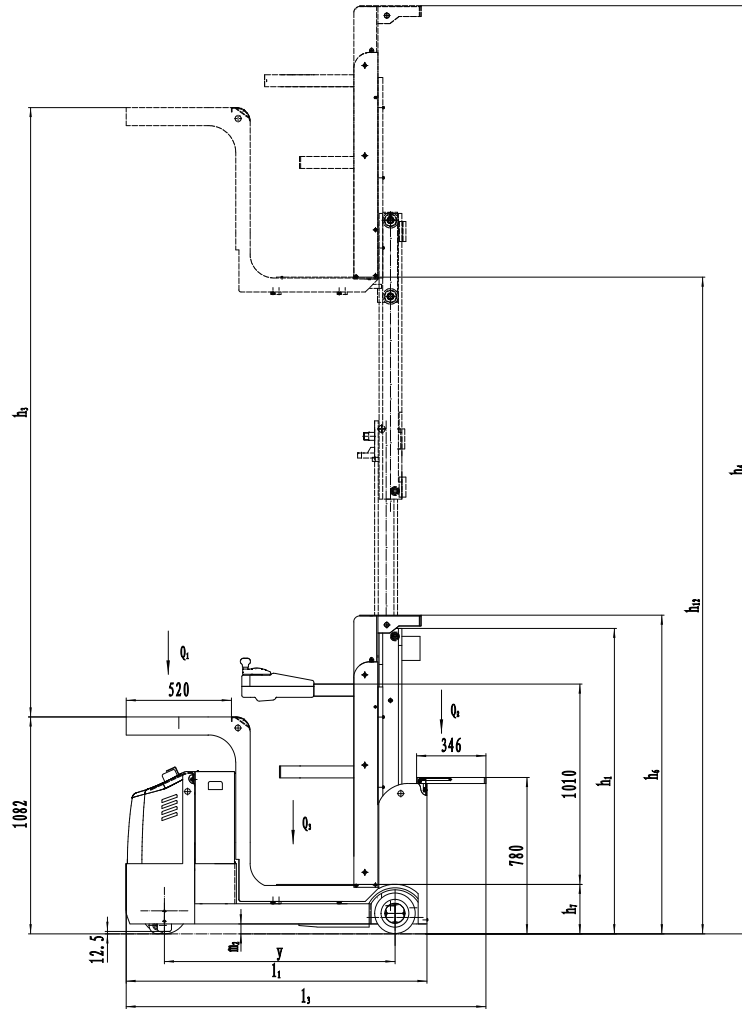


Medium Level Order Picker 0.5t

JX1

| Distinguishing mark | | | | | | | |
|---------------------|---|--------|--------|----------------------|----------------------|----------------------|----------------------|
| 1.1 | Manufacturer | | | EP | EP | EP | EP |
| 1.2 | Model designation | | | JX1(3200) | JX1(3600) | JX1(4100) | JX1(4880) |
| 1.3 | Drive unit | | | Electrics | Electrics | Electrics | Electrics |
| 1.4 | Operator type | | | standing | standing | standing | standing |
| 1.5 | rated capacity on front platform | Q 1 | Kg | 227 | 227 | Δ227 | Δ227 |
| | rated capacity on behind platform | Q 2 | Kg | 137 | 137 | 137 | 137 |
| | rated capacity on standing platform | Q 3 | Kg | 136 | 136 | 136 | 136 |
| 1.9 | Wheelbase | y | mm | 1150 | 1150 | 1150 | 1256 |
| Weight | | | | | | | |
| 2.1 | Service weight (include battery) | | kg | 1160 | 1230 | 1340 | 1530 |
| 2.2 | Axle loading, laden driving side/loading side | | kg | 680/980 | 710/1020 | 740/1100 | 780/1220 |
| 2.3 | Axle loading, unladen driving side/loading side | | kg | 490/670 | 500/730 | 520/820 | 540/990 |
| Types,Chassis | | | | | | | |
| 3.1 | Tyre type, Driving wheels/Loading wheels | | | polyurethane /rubber | polyurethane /rubber | polyurethane /rubber | polyurethane /rubber |
| 3.2 | Tyre size, driving wheels (Diameter×Width) | | mm | Φ230*75 | Φ230*75 | Φ230*75 | Φ230*75 |
| 3.3 | Tyre size, loading wheels (Diameter×Width) | | mm | Φ204*76 | Φ204*76 | Φ204*76 | Φ204*76 |
| 3.4 | Tyre size, caster wheels (diameter×width) | | mm | Φ74*48 | Φ74*48 | Φ74*48 | Φ74*48 |
| 3.5 | Wheels, number driving, caster/loading (x=drive wheels) | | mm | 1x,2/2 | 1x,2/2 | 1x,2/2 | 1x,2/2 |
| 3.6 | tread, front | b10 | mm | 566 | 566 | 566 | 626 |
| 3.7 | tread, rear | b11 | mm | 724 | 724 | 724 | 784 |
| Dimensions | | | | | | | |
| 4.2 | Height, mast lowered | h1 | mm | 1510 | 1590 | 2080 | 2090 |
| 4.4 | Lift height | h3 | mm | 2950 | 3350 | 3850 | 4630 |
| 4.5 | Height, mast extended) | h4 | mm | 4540 | 4940 | 5970 | 6750 |
| 4.7 | Height of overhead guard (cabin) | h6 | mm | 1590 | 1670 | 2120 | 2120 |
| 4.8 | Seat height/standing height) | h7 | mm | 250 | 250 | 250 | 250 |
| 4.14 | Stand height, elevated | h12 | mm | 3200 | 3600 | 4100 | 4880 |
| 4.19 | Overall length | l1 | mm | 1500 | 1500 | 1500 | 1610 |
| 4.21 | Overall width | b1/ b2 | mm | 800 | 800 | 800 | 860 |
| 4.32 | Ground clearance, center of wheelbase | m2 | mm | 50 | 50 | 50 | 50 |
| 4.33 | front cargo platform width | | mm | 800×520 | 800×520 | 800×520 | 800×520 |
| 4.34 | initial height of front cargo platform | | mm | 1082 | 1082 | 1082 | 1082 |
| 4.35 | Control handle height | | mm | 1010 | 1010 | 1010 | 1010 |
| 4.36 | behind platform width | | mm | 346×660 | 346×660 | 346×660 | 346×660 |
| 4.37 | Overall length platform launch | l3 | mm | 1795 | 1795 | 1795 | 1905 |
| 4.38 | The channel width | Ast | mm | 2005 | 2005 | 2005 | 2070 |
| 4.39 | Turning radius | Wa | mm | 1385 | 1385 | 1385 | 1450 |
| Performance data | | | | | | | |
| 5.1 | Travel speed, laden/unladen (h12: 0-520) | | km/ h | 5.5 | 5.5 | 5.5 | 5.5 |
| | Travel speed, laden/unladen (h12: 520-1940) | | km/ h | 3.7 | 3.7 | 3.7 | 3.7 |
| | Travel speed, laden/unladen (h12: 1940-2600) | | km/ h | 2.5 | 2.5 | 2.5 | 2.5 |
| | Travel speed, laden/unladen (h12: 2600-MAX) | | km/ h | 1 | 1 | 1 | 1 |
| 5.1.1 | Travel speed, laden/unladen,backwards (h12: 0-520) | | km/ h | 5.5 | 5.5 | 5.5 | 5.5 |
| | Travel speed, laden/unladen,backwards (h12: 520-1940) | | km/ h | 3.7 | 3.7 | 3.7 | 3.7 |
| | Travel speed, laden/unladen,backwards (h12: 1940-2600) | | km/ h | 2.5 | 2.5 | 2.5 | 2.5 |
| | Travel speed, laden/unladen,backwards (h12: 2600-MAX) | | km/ h | 1 | 1 | 1 | 1 |
| 5.2 | Lifting speed, laden/ unladen | | m/ s | 0.17/0.21 | 0.17/0.21 | 0.17/0.21 | 0.17/0.21 |
| 5.3 | Lowering speed, laden/ unladen) | | m/ s | 0.35/0.26 | 0.35/0.26 | 0.35/0.26 | 0.35/0.26 |
| 5.8 | Max. gradeability, laden/unladen | | % | 0 | 0 | 0 | 0 |
| 5.10 | Service brake | | | Electromagnetic | Electromagnetic | Electromagnetic | Electromagnetic |
| Electric-engine | | | | | | | |
| 6.1 | Drive motor rating S2 60 min | | kW | 1.7 | 1.7 | 1.7 | 1.7 |
| 6.2 | Lift motor rating at S3 15% | | kW | 2.2 | 2.2 | 2.2 | 2.2 |
| 6.3 | The maximum allowed size battery | | mm | 200x740x670 | 200x740x670 | 200x740x670 | 280x800x670 |
| 6.4 | Battery voltage/nominal capacity K20 | | V/ Ah | 24V/224AH | 24V/224AH | 24V/224AH | 24V/280AH |
| 6.5 | Battery weight | | kg | 163 | 163 | 163 | 250 |
| Addition data | | | | | | | |
| 8.1 | Type of drive unit | | | AC | AC | AC | AC |
| 10.5 | Steering design | | | Electronic | Electronic | Electronic | Electronic |
| 10.7 | Sound pressure level at the driver's ear | | dB (A) | 74 | 74 | 74 | 74 |

Note: Δ Q1 Capacity, for JX1(4100),JX1(4880) with a lifting height of over 3600mm, the maximum loading capacity derates to 72 kg.



$$Ast = Wa + r + a$$

$$a = 200$$