



## EPT20-20WA EPT25-WA Electric Pallet Truck 2.0/2.5t

Long-tiller Design Makes Operations Easier and More Convenient;  
Small Turning Radius Requirements, Excellent Performances in Curved Aisles;  
Ideal Choice for Heavy Duty but Short Distance Applications.

EP EQUIPMENT CO.,LTD  
[www.ep-ep.com](http://www.ep-ep.com)



## FEATURE



### Performance

- The innovative AC system offers strong power, accurate control and excellent performance.
- High strength vertical gearbox provides reliable uptime.
- Low-noise and durable hydraulic unit, high quality cylinder as well as hose ensure the high reliability of hydraulic system.
- AMP connector and durable electric wires greatly reduce malfunctions of components.
- One-time formed fork, box type frame and adjustable linkage extends the life of undercarriage.



### Safety

- Curved design of front chassis avoids pinching point when lifting.
- Curved design of bottom frame ensures proper ground clearance and avoids hurting operator's feet.
- Emergency reverse belly button protects the operator from getting hurt.
- Emergency disconnecter will cut off power source to avoid accident when the truck goes out of control.
- Anti-rolling back brake keeps the truck from skidding down when truck is out of control or travelling on ramp.
- LBR option avoids cargo from falling down.
- Long operation tiller withstands most impacts from crashes.

### Operation

- With the new design of ergonomical tiller head, all buttons can be reached conveniently & comfortably.
- Thanks to the long tiller design, it decreases the steering force greatly which leads to easy operations.
- With its special fork design, it is suitable for all popular pallets.
- Over 180° handle rotation range tiller & compact size ensure small turning radius & excellent maneuverability.
- Creep speed function: when tiller is in near vertical position, the driving speed will decrease automatically, allowing delicate operation in confined space.
- Creep Switch for vertical handle (optional).

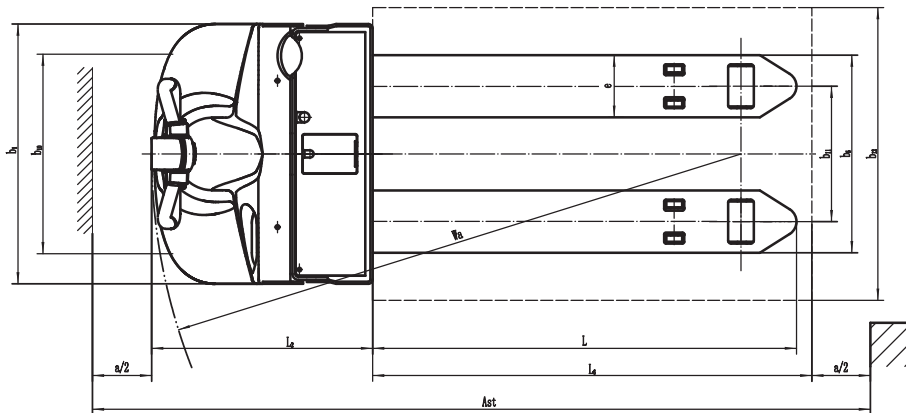
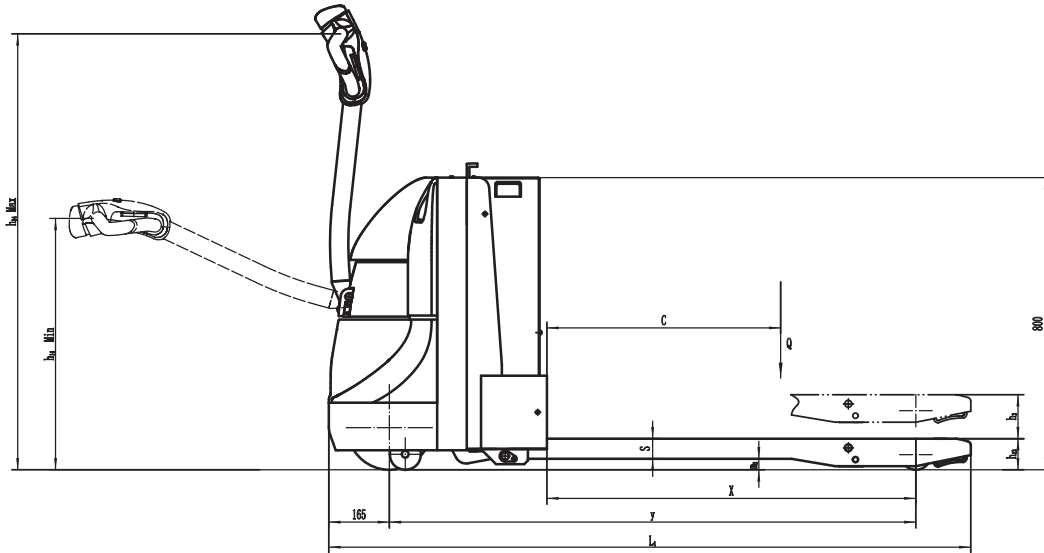
### Maintenance

- AC traction motor, maintenance free.
- Hour meter and battery indicator remind the operator of battery charging.
- Easily remove the back cover by only loosening two bolts; Access to all key components for inspection, maintenance and replacement.
- Easy access for battery maintenance.
- Vertical motor makes the inspection & service much more convenient.
- Control system allows easy trouble-shooting.
- Low voltage lift cut off design protects batteries.

# Electric Pallet Truck 2.0/2.5t EPT20-20WA/EPT25-WA

Distinguishing mark						
1.1	Manufacturer				EP	EP
1.2	Model designation				EPT20-20WA	EPT25-WA
1.3	Drive unit				Electrics	Electrics
1.4	Operator type				pedestrian	pedestrian
1.5	rated capacity	Q	kg		2000	2500
1.6	Load center distance	c	mm		600	600
1.7	Load distance	x	mm		916/982 937/1003	916/982 937/1003
1.9	Wheelbase	y	mm		1418 1488	1418 1488
Weight						
2.1	Service weight (include battery)		kg		535	565
2.2	Axle loading, laden driving side/loading side		kg		955 / 1580	1070 / 1995
2.3	Axle loading, unladen driving side/loading side		kg		430 / 105	445 / 120
Types,Chassis						
3.1	Tyre type driving wheels/loading wheels				polyurethane/ polyurethane	polyurethane/ polyurethane
3.2	Tyre size, driving wheels (diameter*width)		mm		Φ230x75	Φ230x75
3.3	Tyre size, loading wheels (diameter*width)		mm		Φ85x70 / Φ83x115	Φ85x70 / Φ83x115
3.4	Tyre size, caster wheels (diameter*width)		mm		Φ85x48	Φ85x48
3.5	Wheels, number driving, caster/loading (x=drive wheels)		mm		1 x + 2 / 4 / 1 x + 2 / 2	1 x + 2 / 4 / 1 x + 2 / 2
3.6	Track width, front,driving side	b <sub>10</sub>	mm		498	498
3.7	Track width,rear,loading side	b <sub>11</sub>	mm		370 / 430 / 515	370 / 430 / 515
Dimensions						
4.4	Lift height	h <sub>3</sub>	mm		120	120
4.9	Height drawbar in driving position min./max.	h <sub>14</sub>	mm		715 / 1200	715 / 1200
4.15	Lowered height	h <sub>13</sub>	mm		85	85
4.19	Overall length	l <sub>1</sub>	mm		1748 1818	1748 1818
4.20	Length to face of forks	l <sub>2</sub>	mm		598	598
4.21	Overall width	b <sub>1</sub> / b <sub>2</sub>	mm		710	710
4.22	Fork dimensions	s/ e/ l	mm		55x170x1150 55x170x1220	55 x 170 x 1150 55x170x1220
4.25	Outside width of the forks	b <sub>5</sub>	mm		540 / 600 / 685	540 / 600 / 685
4.32	Ground clearance, center of wheelbase	m <sub>2</sub>	mm		30	30
4.34.1	Aisle width for pallets 1000 × 1200 crossways	Ast	mm		1815	1815
4.34.2	Aisle width for pallets 800 × 1200 lengthways	Ast	mm		2015	2015
4.35	Turning radius	Wa	mm		1595	1595
Performance data						
5.1	Travel speed, laden/ unladen	km/ h	km/h		5 / 5.5	5 / 5.5
5.2	Lifting speed, laden/ unladen		m/ s		0.026 / 0.031	0.026 / 0.031
5.3	Lowering speed, laden/ unladen		m/ s		0.032 / 0.039	0.032 / 0.039
5.8	Max. gradeability, laden/unladen				8 / 16	6 / 16
5.10	Service brake type				Electromagnetic	Electromagnetic
Electric-engine						
6.1	Drive motor rating S2 60 min		kW		1.1	1.1
6.2	Lift motor rating at S3 15%		kW		0.84	0.84
6.3	The maximum allowed size battery		mm		680 x 205 x 600	690 x 205 x 600
6.4	Battery voltage/nominal capacity K5				24 / 210	24 / 240
6.5	Battery weight		kg		190	220
Addition data						
8.1	Type of drive control				AC	AC
10.5	Steering type				Mechanical	Mechanical
10.7	Sound pressure level at the driver's ear		dB(A)		74	74

1.The parameters in the table are of the standard model. For more information, please contact us.  
2.The parameters are subject to change without notice.



## Option

Options	EPT20-20WA	EPT25-WA
Fork length	○ 1150/1220	○ 1150/1220
Fork width	○540/600/685mm	○540/600/685mm
Double load wheel	●	●
Single load wheel	●	●
Driving wheel	●PU	●PU
Balance wheel	●	●
cold storage	○	○
Battery indicator with hour meter	●	●
Battery indicator without hour meter	○	○
Battery capacity	○165AH/210AH/240AH	○165AH/210AH/240AH
Lateral change battery	○	○
Water auto-filling system	○	○
Vertical handler working	○	○
half speed function in turning	○	○
Guard arm	—	—
Fork lowered height	●85mm	●85mm
Special backrest	○1220mm (48in)/1520mm (60in)	○1220mm (48in)/1520mm (60in)

Note: ● standard ○ option — NA